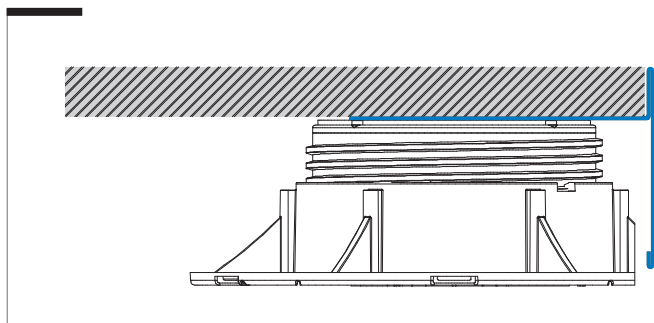




reversible edge profile for raised floors

border+tec™ BSR

The new series **BSR** is dedicated to raised floors with the aim of completing open edges. Bordertec BSR finish and edge terraces perimeter.
Available in the 22 finish and in 4 new heights matching those of Profilitec supports for floating tiles.



BORDERTEC BSR - A* Powder Coated Aluminium

Profile coated on its entire surface with polyester powder.
External corner piece: code BSRE
Juction piece: code BSRG

Material: Powder coated aluminium
Colours*: 22, 50
Length: 2,70 m

H/H'=mm	Art.
20/40	BSR 20/40 A22
20/60	BSR 20/60 A22
20/80	BSR 20/80 A22
20/100	BSR 20/100 A22

SUPPORT MODIFICATIONS

